

On Board

Design: Thomas E. Alken, 2013

pp850



Modern long table

Simple and elegant functionality in solid wood. **On Board** offers between six and twelve well-proportioned table pieces for dining, meetings, etc. – and in case a couple of unexpected guests arrive there will be room for them as well.

On Board is an honest, modern version of the classic long table, with the addition of refined details and a high adaptability to a variety of needs. While fulfilling the basic task of being a practical dining table, **On Board** also takes the aspect of tolerances and accuracy in solid woodwork to a new level.



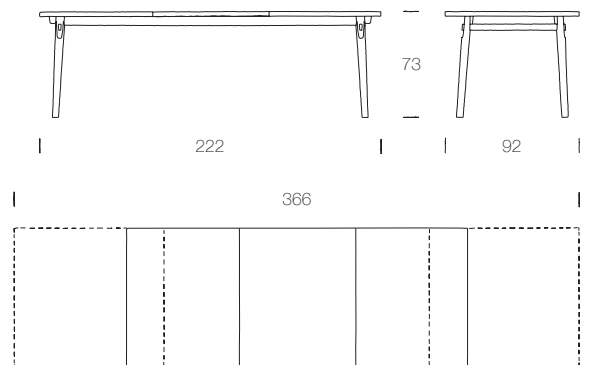
On Board

Design: Thomas E. Alken, 2013

pp850

pp850 comes with four solid wood leaves included. The main tabletops are primarily made of plain cut wood, and the leaves are primarily made of quarter cut wood. The leaves come in two different widths for convenience and flexibility.

pp850 can be extended from the initial 222 cm to a maximum of 366 cm in 26 cm increments making it possible to fit the size of the table to any given dining situation for up to 12 people.





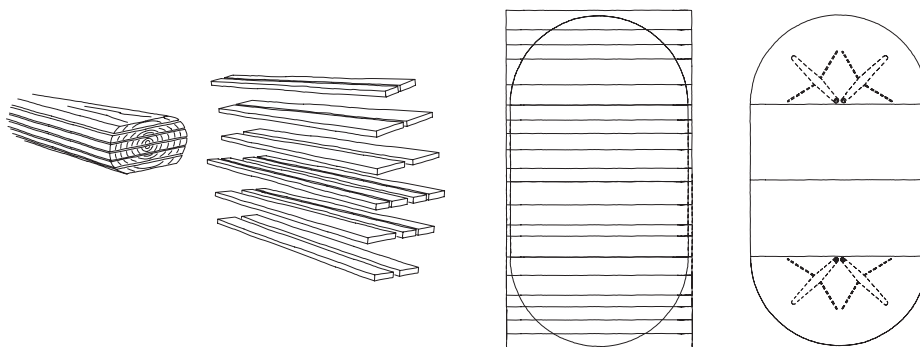


Composing a table top

Every solid wood table from PP Møbler is made using the wood from a single tree. Each tree is cut, dried, machined into planks and then separated from the others. Planks are then cut into sections as wide as possible in order to minimise the number of joints and glue used in a finished tabletop.

This policy of only using the wood from a single tree to make the top is the best way to ensure a balanced hue across the surface and express the beauty of the wood so it gains an even patina over time. This attention to detail is important and adds to the future value of the table.

Because we select the individual pieces of wood that will make each tabletop we face a number of natural and inevitable conditions with which we are obliged to work. Normally we can produce between 1-4 tables per tree depending on its size and the dimensions of the table we are making.



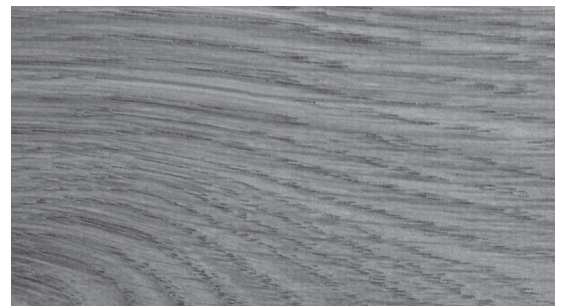
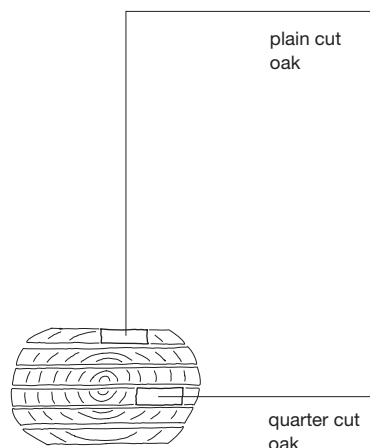


The composition of each tabletop is always thoughtfully considered and planned in detail. Every section is carefully evaluated from what a tree offers and they are glued together in the exact order selected by the individual craftsman for a particular top.

The same procedure applies to split tabletops including any solid leaves. For this reason it is important when ordering for example, a **pp75/140** with two solid wood leaves, that all of the wood for the top and the leaves are cut from the same tree. Finding the right tree for such a table is a considerable challenge.

The planks cut near the centre of the log are described as quarter cut and the planks cut away from the centre are known as being plain cut. Most wood types have medullary rays through which nutrients circulate that are a natural part of the trees biology.

Particularly in oak, the medullary rays are visible in the quarter cut planks and this is part of the strong character of the species. Any tabletop made of oak is likely to have visible medullary rays.



pp møbler

Vestvej 45
3450 Allerød
Denmark

info@pp.dk
www.pp.dk

